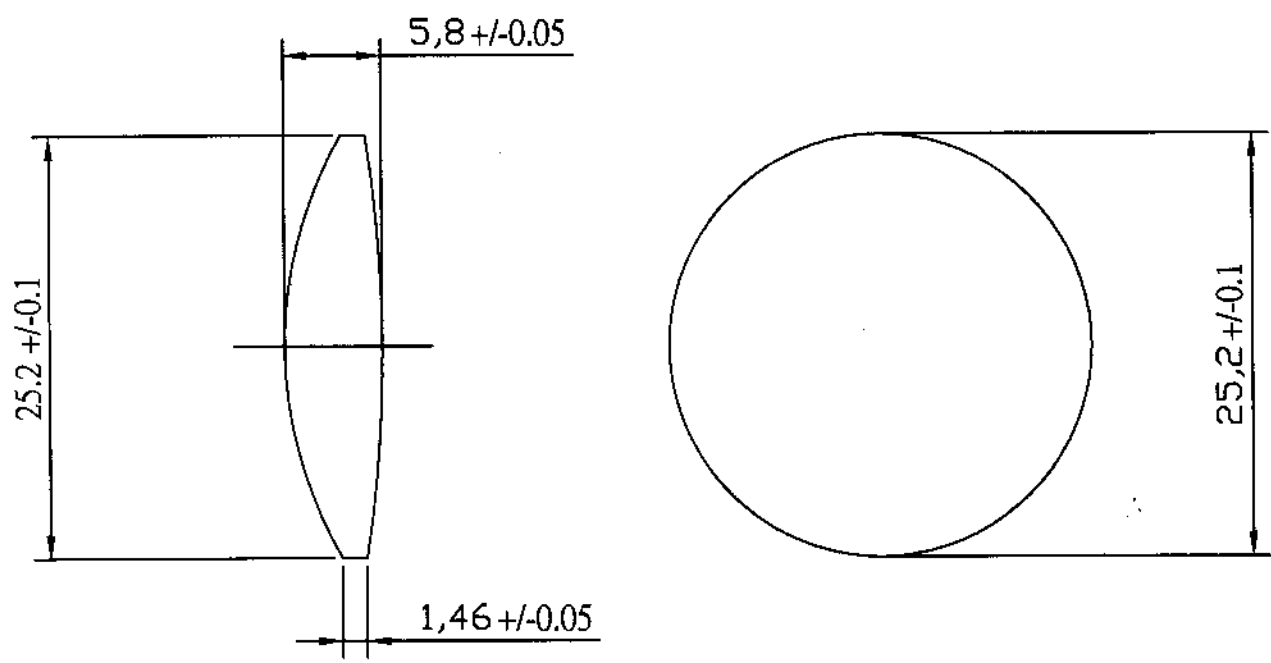


1	2	3	4	RevNo	Revision note	Date	Signature	Checked
---	---	---	---	-------	---------------	------	-----------	---------



F=40.27
 BF=37.21
 Unit: mm
 Material: PMMA

Itemref	Quantity	Title/Name, designation, material, dimension etc			Article No./Reference	
Designed by	Checked by	Approved by - date	File name	Date 06-29-2003	Scale	
ANSONOPTICAL			LENS			
			ASR_08W252		Edition A	Sheet 1