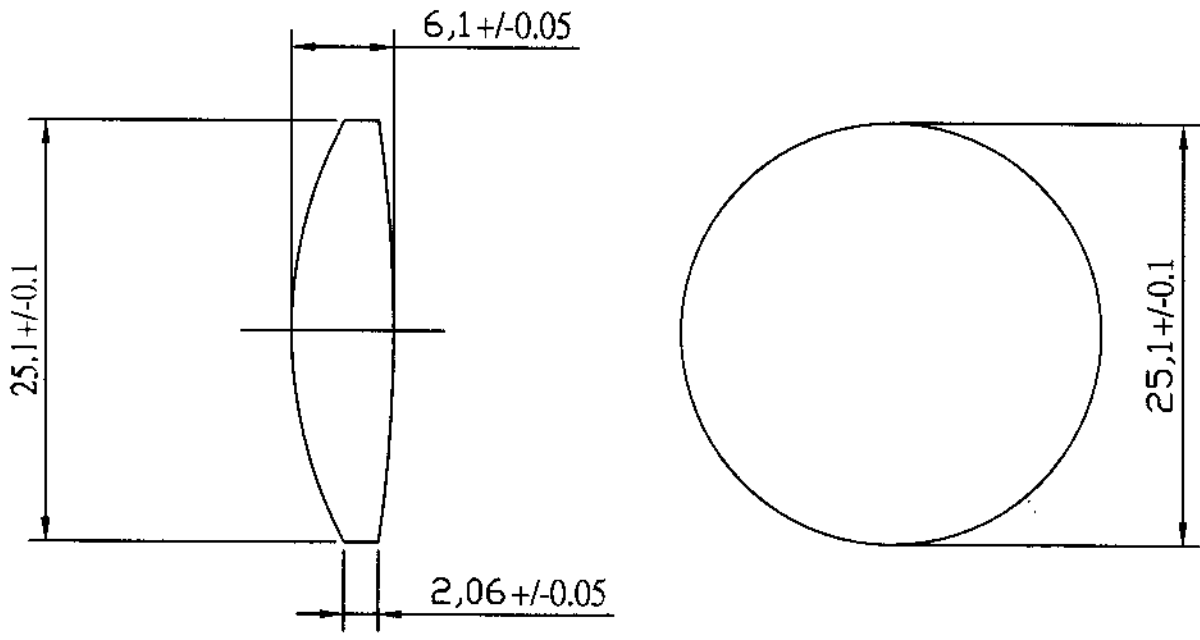


1	2	3	4
RevNo	Revision note	Date	Signature
			Checked



F=42.3
 BF=39.0
 Unit: mm
 Material: PMMA

Itemref	Quantity	Title/Name, designation, material, dimension etc			Article No./Reference		
Designed by	Checked by	Approved by - date	File name	Date	Scale		
ANSONOPTICAL		LENS				06-29-2003	
			ASR_08W25	Edition	Sheet		
				A	1		