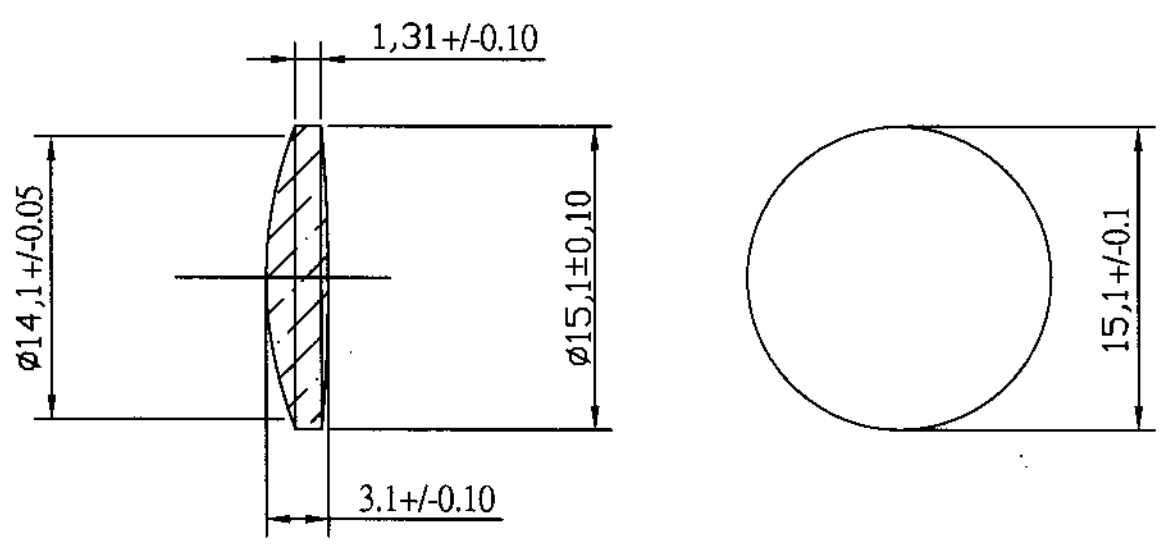


1	2	3	4
RevNo	Revision note	Date	Signature Checked



F=29.85±0.1
 Unit: mm
 Material: PMMA

Itemref	Quantity	Title/Name, designation, material, dimension etc	Article No./Reference		
Designed by	Checked by	Approved by - date	File name	Date 06-29-2003	Scale
ANSONOPTICAL		LENS			
			ASR-0814	Edition A	Sheet 1