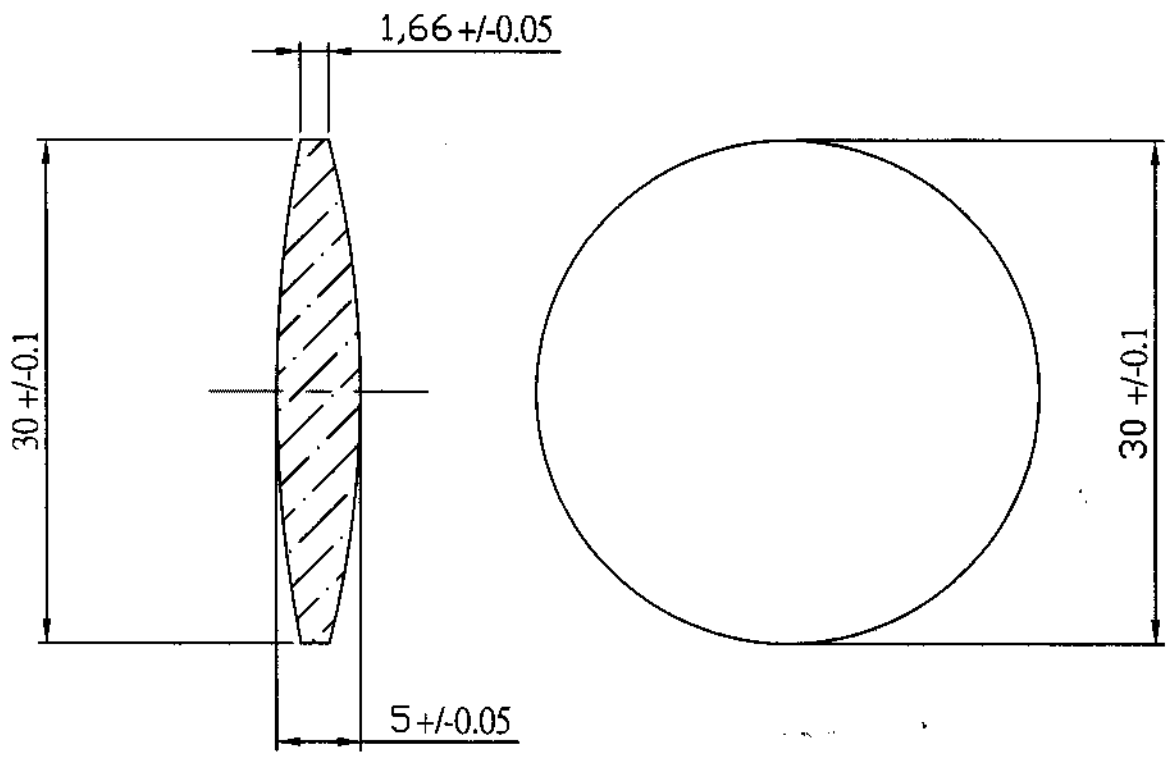


1	2	3	4
RevNo	Revision note	Date	Signature Checked



F=30.46
 Unit: mm
 Material: PMMA

Itemref	Quantity	Title/Name, designation, material, dimension etc		Article No./Reference	
Designed by		Checked by	Approved by - date	File name	Date
ANSONOPTICAL				ASR-08110	06-30-2003
			LENS		
			Edition	Sheet	
			A	1/1	