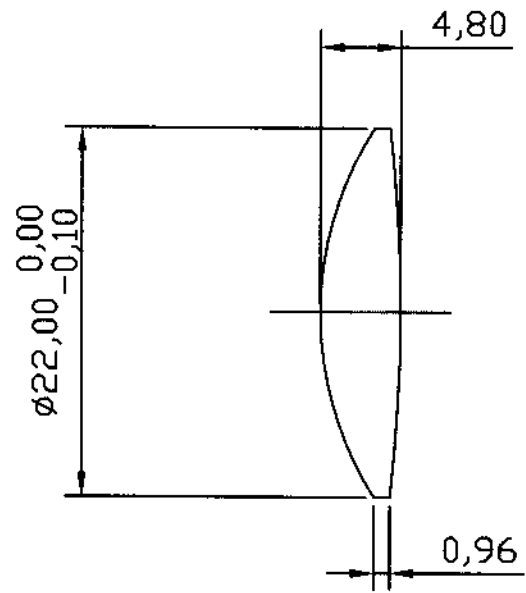


1	2	3	4
RevNo	Revision note	Date	Signature
			Checked



F=34.8
 BF=32.1
 Unit: mm
 Material: PMMA

Itemref	Quantity	Title/Name, designation, material, dimension etc			Article No./Reference	
Designed by	Checked by	Approved by - date	File name	Date	Scale	
ANSONOPTICAL			LENS	06-29-2003	SCALE	
			ASR-0805	Edition	Sheet	
				A	1	