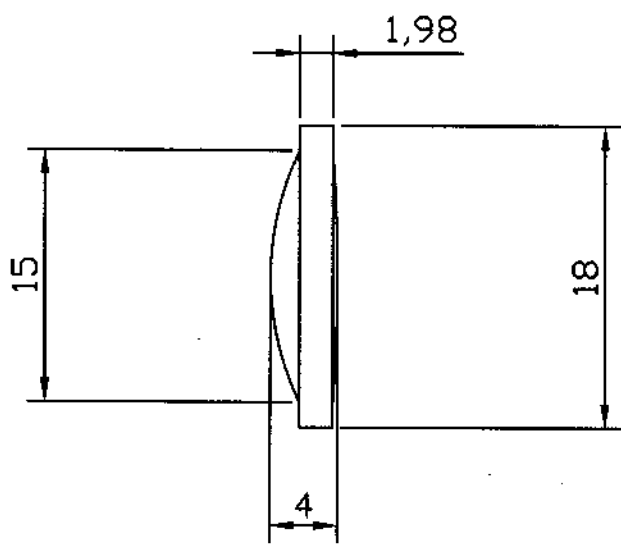


1	2	3	4	
RevNo	Revision note	Date	Signature	Checked



F=16.97
 Unit: mm
 Material: PMMA

Itemref	Quantity	Title/Name, designation, material, dimension etc		Article No./Reference	
Designed by	Checked by	Approved by - date	File name	Date	Scale
ANSONOPTICAL			LENS		
			ASR-038-03	Edition A	Sheet 1