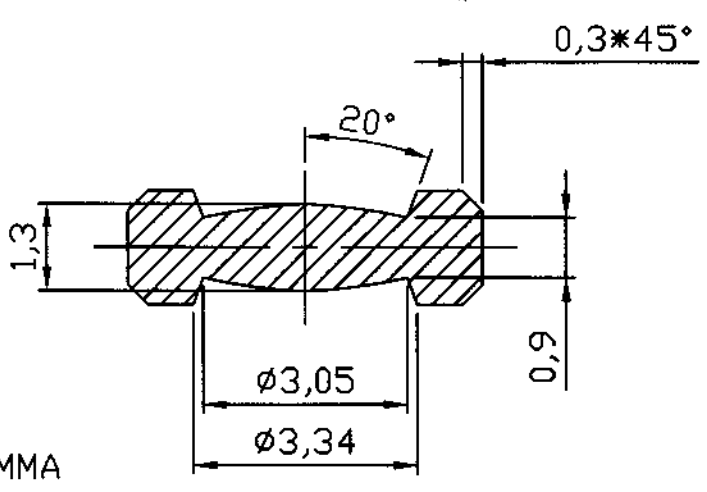
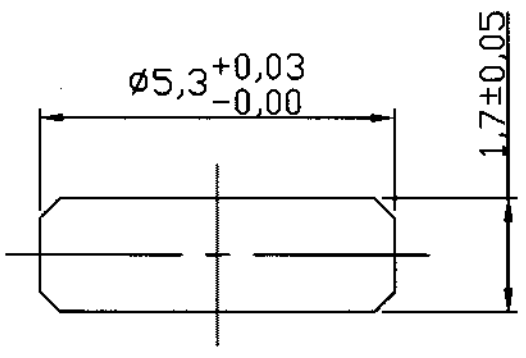
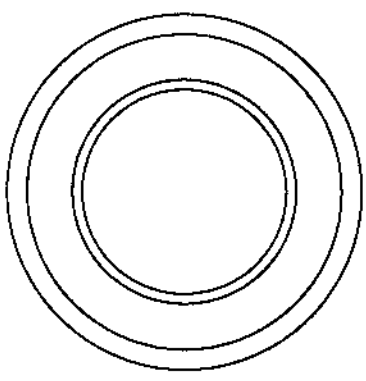


1	2	3	4
RevNo	Revision note	Date	Signature Checked



F=8.15
 Unit: mm
 Material: PMMA

Itemref	Quantity	Title/Name, designation, material, dimension etc	Article No./Reference		
Designed by	Checked by	Approved by - date	File name FILENAME	Date 06-30-2003	Scale SCALE
ANSONOPTICAL			LENS		
			ASR001-00-0	Edition A	Sheet 1/1